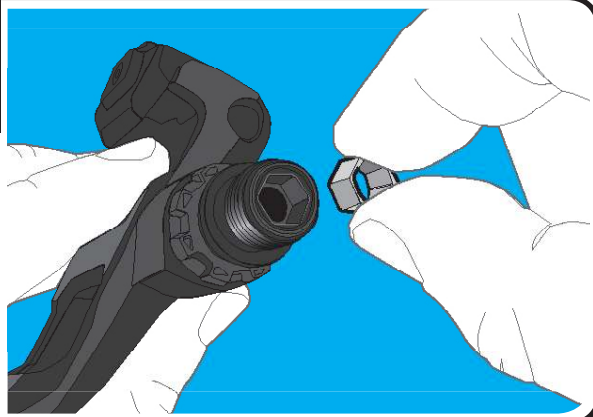


INSTALLATION INSTRUCTIONS

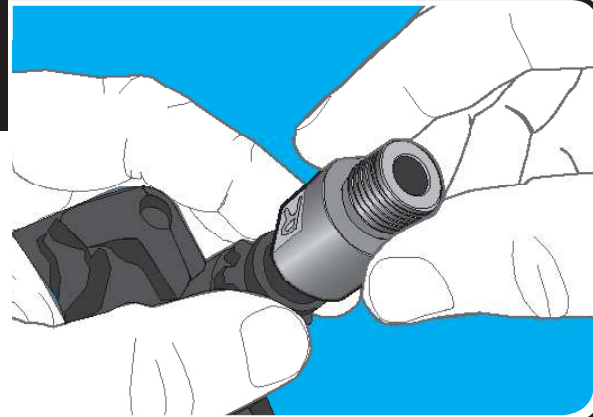
STEP 1.

Insert the 6-to-8 Adapter into pedal spindle.



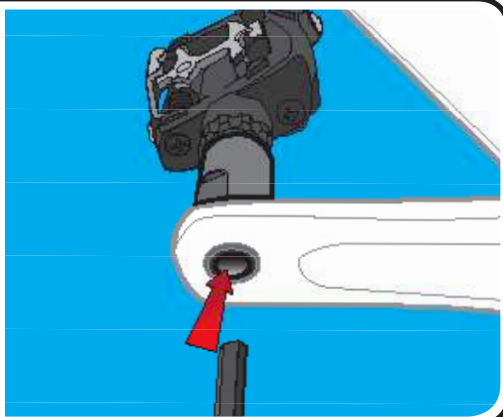
STEP 2.

Thread the 20mm Pedal Extender onto the pedal spindle.



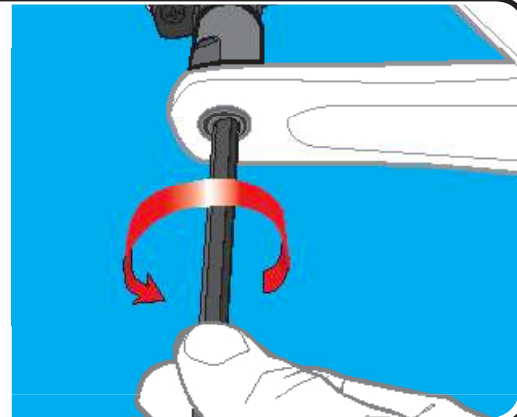
STEP 3.

Insert a 6mm Hex Key through the crank arm and 20mm Pedal Extender into the pedal spindle to tighten everything together.



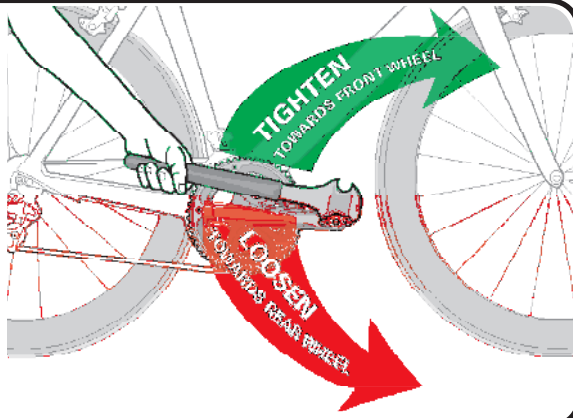
STEP 4.

6mm Hex Key will tighten the pedal onto the extender and the extender onto the crank arm.



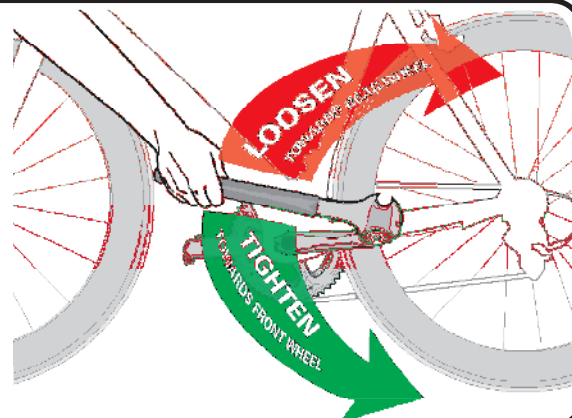
STEP 5.

As you face the drivetrain side, it's standard clockwise to tighten, counterclockwise to loosen pedals on the crank arm.



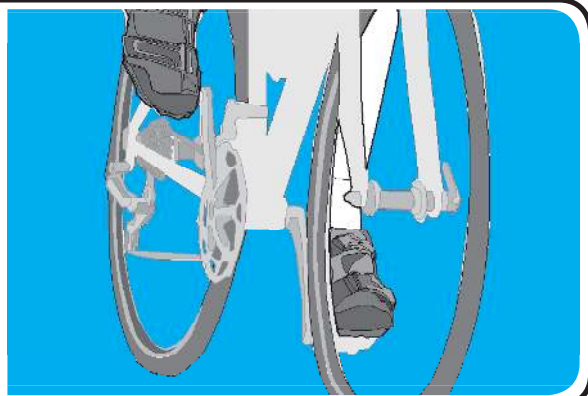
STEP 6.

The non-drive side is the opposite; counterclockwise to tighten & clockwise to loosen.



STEP 7.

Go for an easy test ride.



20mm Pedal Extenders are not intended for use with carbon fiber cranks. Maximum rider weight - 275 lbs / 125 kg. Grease all threads and adaptor prior to installation. Always let comfort be your guide.

*Do not use ball-end hex key for installation. This may damage adapter.

*Not compatible with Look Keo Sprint pedals.

WARNING:

Bicycling can be hazardous and you should always wear a helmet. Always inspect your bike prior to use. Always follow the rules of the road. If you have questions please contact your nearest BikeFit PRO for assistance.

Technical details in the instructions and illustrations are subject to change without notice.

© No part of this publication may be reprinted, copied or transmitted by hand or with mechanical or electronic systems or used for another business purpose without prior written permission.



BIKEFIT
www.BikeFit.com

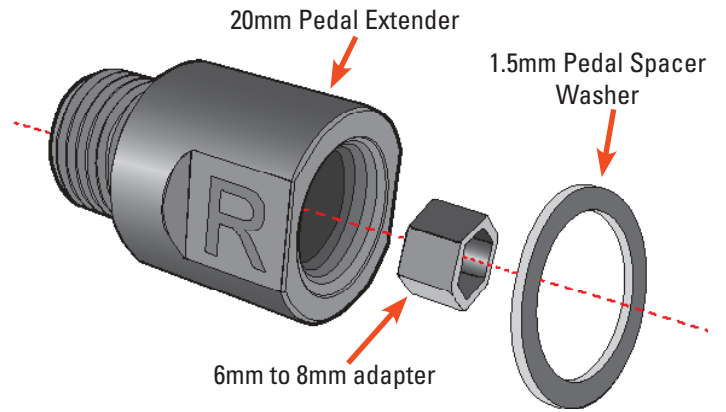
Toll Free **855-813-3233**

• Kirkland, WA 98034 USA

HEX+ 20mm Pedal Extender Pair

Compatible with pedals that require a 6mm or 8mm hex key to remove and install pedals.

*Not compatible with Look Keo Keo Sprint and Look Keo Easy

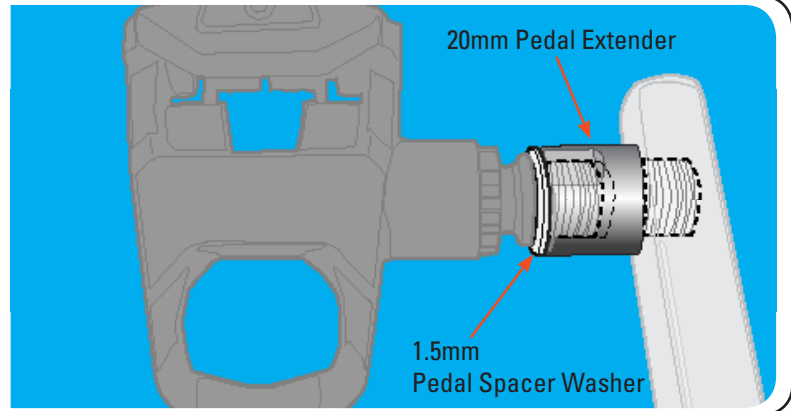


Used for added Stance Width.

Designed to improve cycling stance width helping to align ankle, knee and hip.

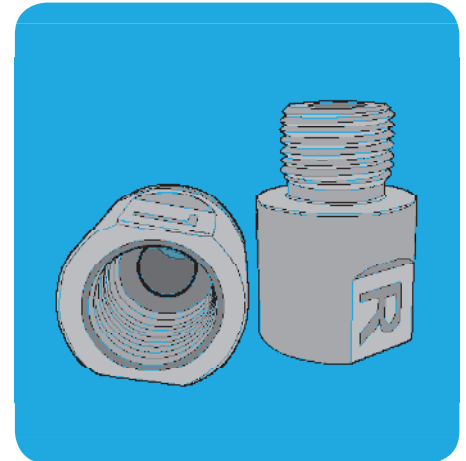
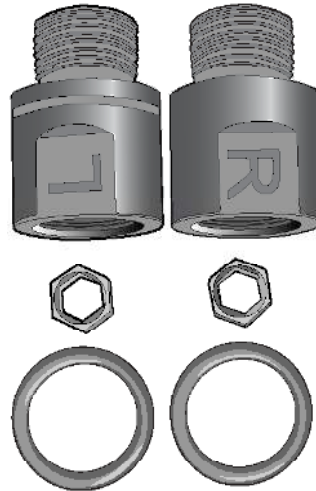
Stance Width options:

- 1.5mm Pedal Spacer Washer
- 20mm Pedal Extender



Package includes:

- 1 x 20mm Thru-Hole LEFT Pedal Extender
- 1 x 20mm Thru-Hole RIGHT Pedal Extender
- 2 x Hex Adapters (6mm to 8mm)
- 2 x 1.5mm Pedal Spacer Washers



SPECIAL CONSIDERATIONS: Look Kéo (now with a longer axle)

