

RIGHT Hex+ Pedal Extender-*INSTALLATION INSTRUCTIONS*

STEP 1.

Insert the 6-to-8 Adapter into pedal spindle.



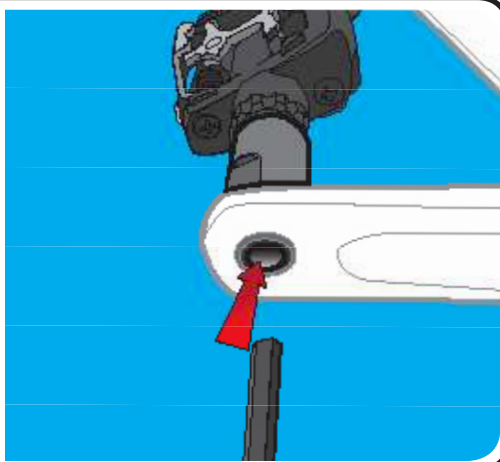
STEP 2.

Thread the 20mm Pedal Extender onto the pedal spindle.



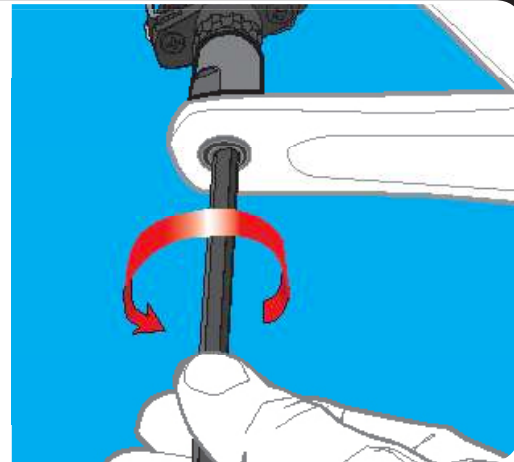
STEP 3.

Insert a 6mm Hex Key through the crank arm and 20mm Pedal Extender into the pedal spindle to tighten everything together.



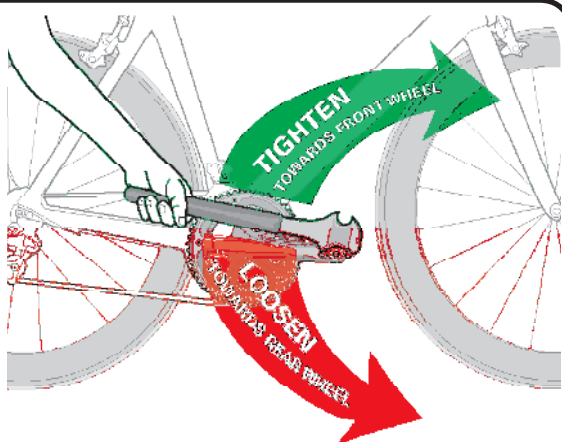
STEP 4.

6mm Hex Key will tighten the pedal onto the extender and the extender onto the crank arm.



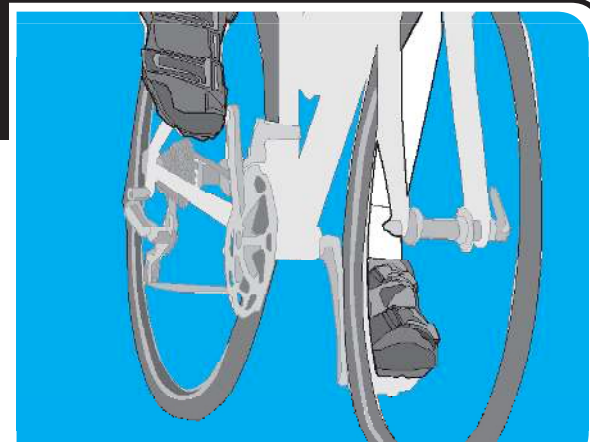
STEP 5.

As you face the drivetrain side, it's standard clockwise to tighten, counterclockwise to loosen pedals on the crank arm.



STEP 6.

Go for an easy test ride.



Hex+ 20mm Pedal Extenders are not intended for use with carbon fiber cranks. Maximum rider weight - 275 lbs / 125 kg. Grease all threads prior to installation. Always let comfort be your guide.

*Do not use ball-end hex key for installation. This may damage the adapter.

*Not compatible with Look Keo Sprint Pedals.

WARNING:

Bicycling can be hazardous and you should always wear a helmet. Always inspect your bike prior to use. Always follow the rules of the road. If you have questions please contact your nearest BikeFit Dealer / PRO for assistance.

Technical details in the instructions and illustrations are subject to change without notice. © No part of this publication may be reprinted, copied or transmitted by hand or with mechanical or electronic systems or used for another business purpose without prior written permission.

HEX+ 20mm RIGHT Pedal Extender

Part# 4010205

Form# 0430627

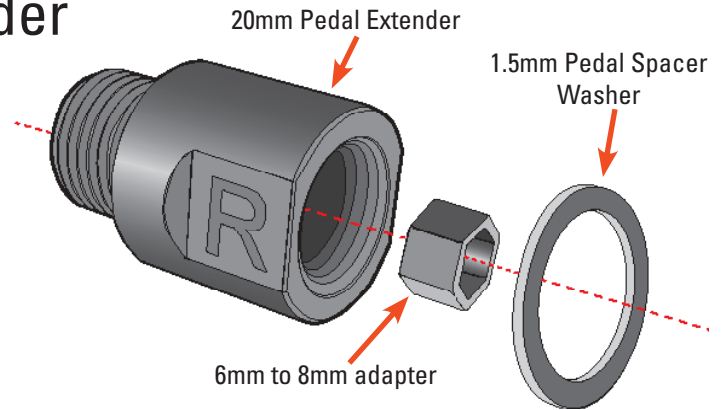
Compatible with pedals that require a 6mm or 8mm hex key to remove and install pedals.

*Not compatible with Look Keo Keo Sprint or Look Keo Easy .



Used for added Stance Width.

Designed to improve cycling stance width helping to align ankle, knee and hip.

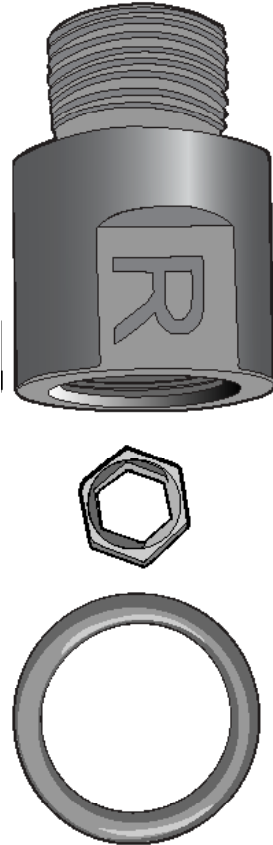


Package includes:

- 1 x 20mm Thru-Hole RIGHT Pedal Extender

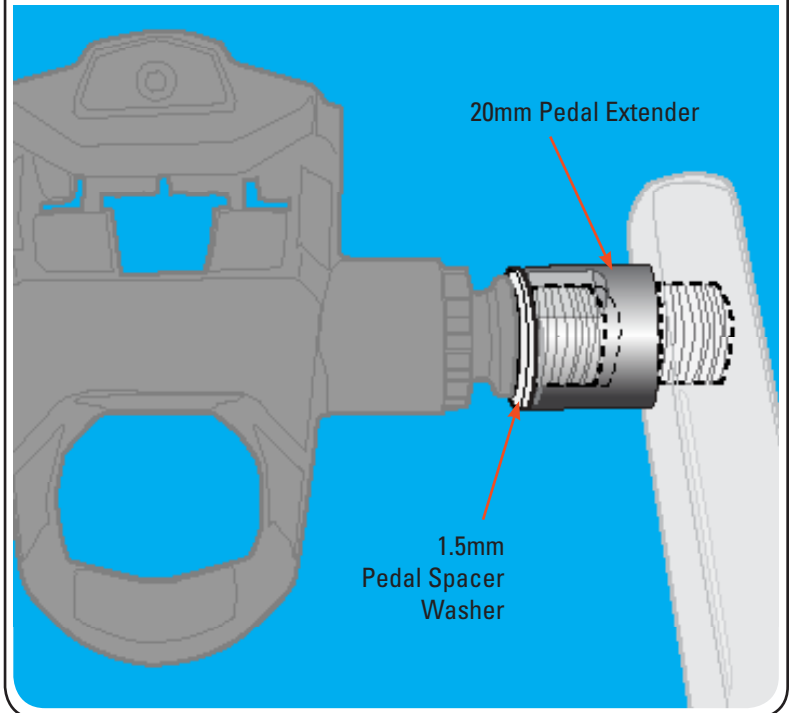
- 2 x Hex Adapter (6mm to 8mm)

- 2 x 1.5mm Pedal Spacer Washers



Stance Width options:

- 1.5mm Pedal Spacer Washer
- 20mm RIGHT Pedal Extender with thru hole



SPECIAL CONSIDERATIONS: Look Kéo (now with a longer axle)

Uses 8mm hex key
+ 2mm added threads

1.5mm Pedal Spacer Washer compensates for the added threads on pedal

Adapter allows 6mm hex key in place of 8mm

