

# LEFT Hex+ Pedal Extender - *INSTALLATION INSTRUCTIONS*

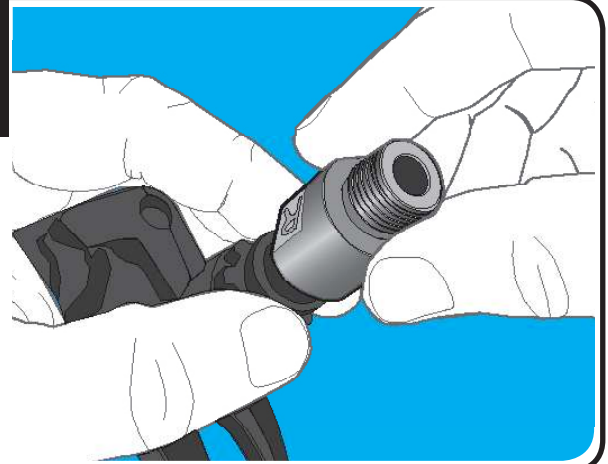
**STEP**  
**1.**

Insert the 6-to-8 Adapter into pedal spindle.



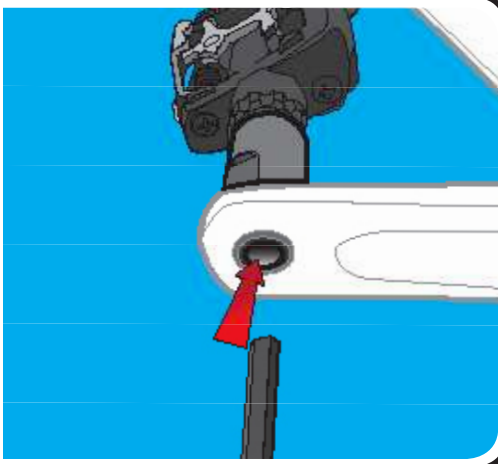
**STEP**  
**2.**

Thread the 20mm Pedal Extender onto the pedal spindle.



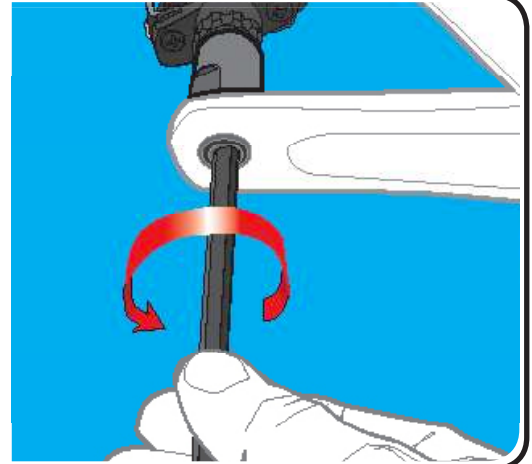
**STEP**  
**3.**

Insert a 6mm Hex Key through the crank arm and 20mm Pedal Extender into the pedal spindle to tighten everything together.



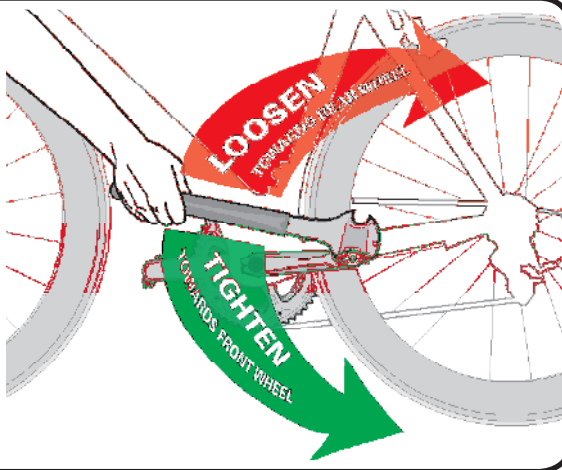
**STEP**  
**4.**

6mm Hex Key will tighten the pedal onto the Extender and the Extender onto the crank arm.



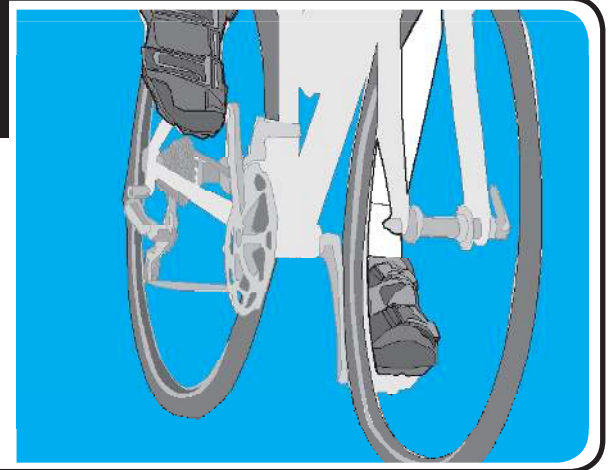
**STEP**  
**5.**

The non-drive side is the opposite; counterclockwise to tighten & clockwise to loosen.



**STEP**  
**6.**

Go for an easy test ride.



Hex+ 20mm Pedal Extender are not intended for use with carbon fiber cranks. Maximum rider weight - 275 lbs / 125 kg. Grease all threads prior to installation. Always let comfort be your guide.

\*Do not use ball-end hex key for installation. This may damage the adapter.

\*Not compatible with Look Keo Sprint Pedals.

## **WARNING:**

Bicycling can be hazardous and you should always wear a helmet. Always inspect your bike prior to use. Always follow the rules of the road. If you have questions please contact your nearest BikeFit Dealer / PRO for assistance.

Technical details in the instructions and illustrations are subject to change without notice. © No part of this publication may be reprinted, copied or transmitted by hand or with mechanical or electronic systems or used for another business purpose without prior written permission.



**BIKEFIT**  
[www.BikeFit.com](http://www.BikeFit.com)

Toll Free **855-813-3233**

• Kirkland, WA 98034 USA

# HEX+ 20mm LEFT Pedal Extender

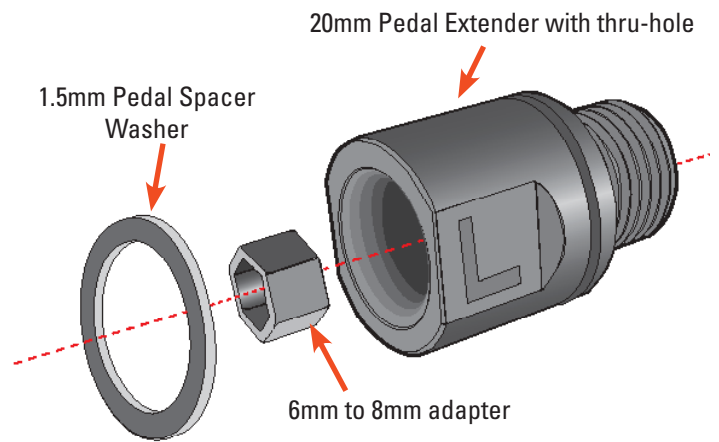
Compatible with pedals that require a 6mm or 8mm hex key to remove and install pedals.

\*Not compatible with Look Keo Keo Sprint and Look Keo Easy



## Used for added Stance Width.

Designed to improve cycling stance width helping to align ankle, knee and hip.

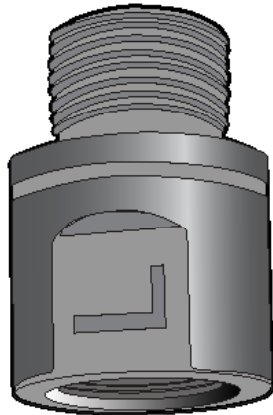


## Package includes:

- 1 x 20mm Thru-Hole LEFT Pedal Extender

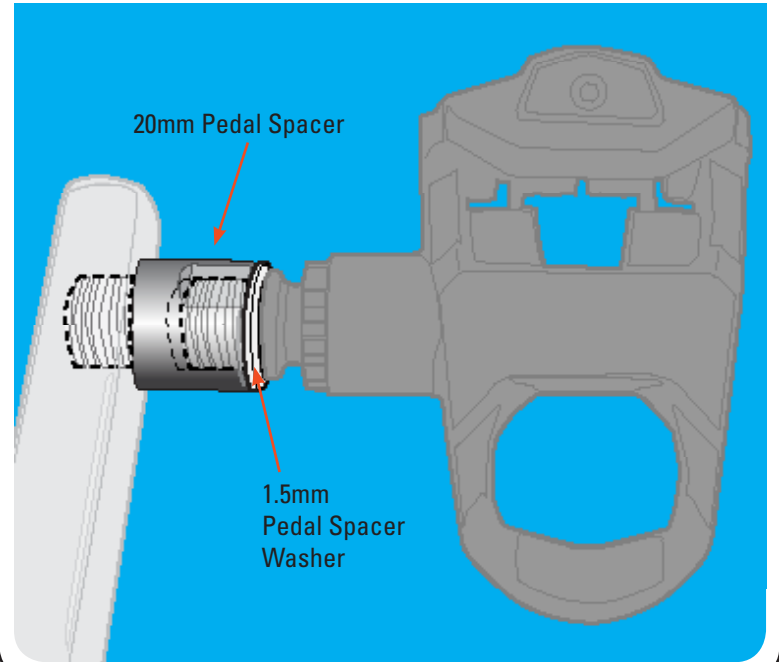
- 2 x Hex Adapter (6mm to 8mm)

- 2 x 1.5mm Pedal Spacer Washers



## Stance Width options:

- 1.5mm Pedal Spacer Washer
- 20mm LEFT Pedal Extender with thru hole



## SPECIAL CONSIDERATIONS: Look Kéo (now with a longer axle)

1.5mm Pedal Spacer Washer compensates for the added threads on pedal

Uses 8mm hex key + 2mm added threads

Adapter allows 6mm hex key in place of 8mm

